

The alternative to mass flow meters for dosing applications: Flowal® Series OD

- Direct dosing and measuring of volumetric flow
- Measurement accuracy 0,5% of instantaneous value
- Extremely rugged and compact design

Overview

Meters of the Flowal® series are based on a robust concept, have a very simple design and can be adapted to a wide field of applications. The innovative design is the result of merging long years of experience with the latest technologies.

The high-resolution oval wheel meter series OD is a compact dosing oval wheel meter with a direct volume output to the Compact Controller including dispensing and measuring functions. They are fitted with Tri-Clamp connections and a high-resolution Wiegand sensor for measuring Newtonian, non-abrasive liquids such as water, oil, grease, etc.

The meters in a compact design can be connected directly to the Compact Controller. In the minimum configuration 24VDC supply, valve input and pulse output can be connected. The electrical connections is identical to the dosing mass flow meter so that devices can easily be interchanged depending on the requirements.

Accurate, reliable and economical dosing and measurement with Bopp & Reuther Flowal® OD



Technical Data

Accuracy*	$\pm 0,5\%$ of measured value
Repeatability	$\pm 0,05\%$ of measured value
Liquid temperature	-10°C to +130°C
Ambient temperature	-20°C to +70°C
Process connection	TriClamp acc. to DIN 32676
Electr. connection	18V - 36V DC Pulse output Valve status
Materials	Body: stainless steel Oval wheels: stainless steel Seals: Viton, alternative FEP
Protection class	IP 65

*at reference conditions > 3mPas

Measuring Ranges

Type	Range*	pulse/L
OD06	0,2 - 7 l/min	3333
OD2	1 - 30 l/min	1000
OD5	2 - 60 l/min	1200

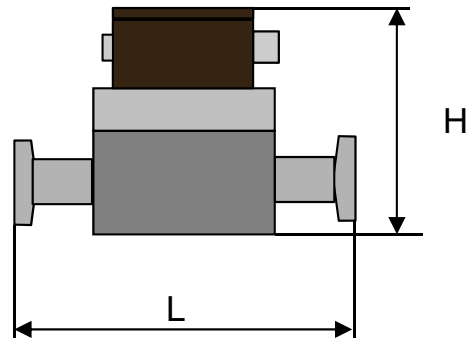
(*Ranges for water, range limitations at viscosity >150mPas)

Arguments for the Oval Wheel Meter Flowal® Series OD

... Based on the proven principle of positive displacement flowmeters and with high pulse resolution

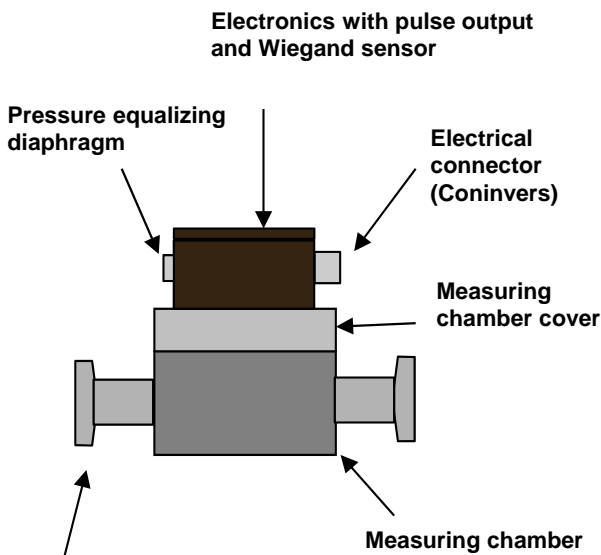
- direct measurement of volume and flowrate
- no straight inlet and outlet sections required
- long service life and high reliability due to robust construction
- high long-term stability
- high accuracy and repeatability
- easy installation
- insensitive to vibration, pressure changes, pulsations, changes in viscosity

Dimensions



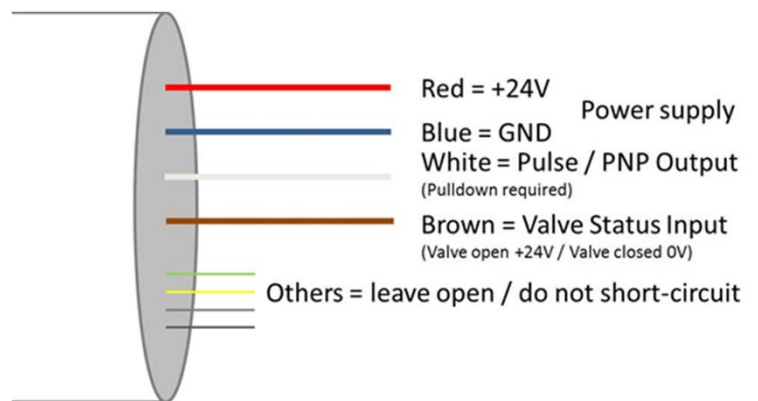
Type	L (mm)	H (mm)	Size
OD06	150	98	DN 10
OD2	150	115	DN 15
OD5	150	118	DN 20

... and with a direct connection to the Compact Controller



Process connections:
Tri Clamp acc. to DIN 32676

Wiring



Subject to technical changes without notice

**Bopp & Reuther
Messtechnik GmbH**
Postfach 1709
67327 Speyer
Am Neuen Rheinhafen 4
67346 Speyer

Phone: +49 (6232) 657-0
Fax : +49 (6232) 657-505

02.14

P-EN-05804-00B

Internet : www.bopp-reuther.de
eMail : info@bopp-reuther.de